

62.5

InKonn

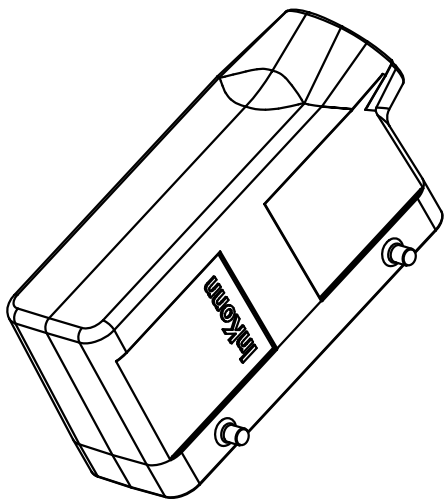
120



PG21

69.1

43

57.2



 All Dimensions in mm Original Size DIN A4	Date 2019-02-24	Drawing No. TC8861329	Rev. A00	Scale 1:1
	Part No. 10 11 824 0143	Created by Shuxu Huang	Checked by Yiyi Luo	Page 1/1
 InKonn (Suzhou) Electric Technology Co.,Ltd. Type Name <b>HB24-SE-QB-PG21</b>				